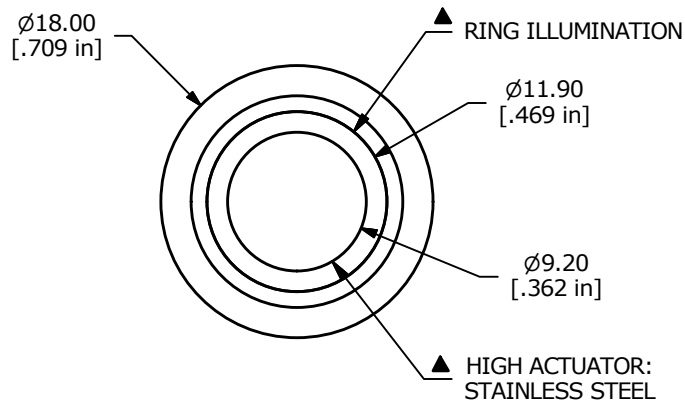
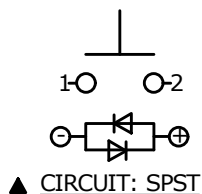


PANEL CUTOUT  
MAX. PANEL THICKNESS  
10.0mm [.315 in]

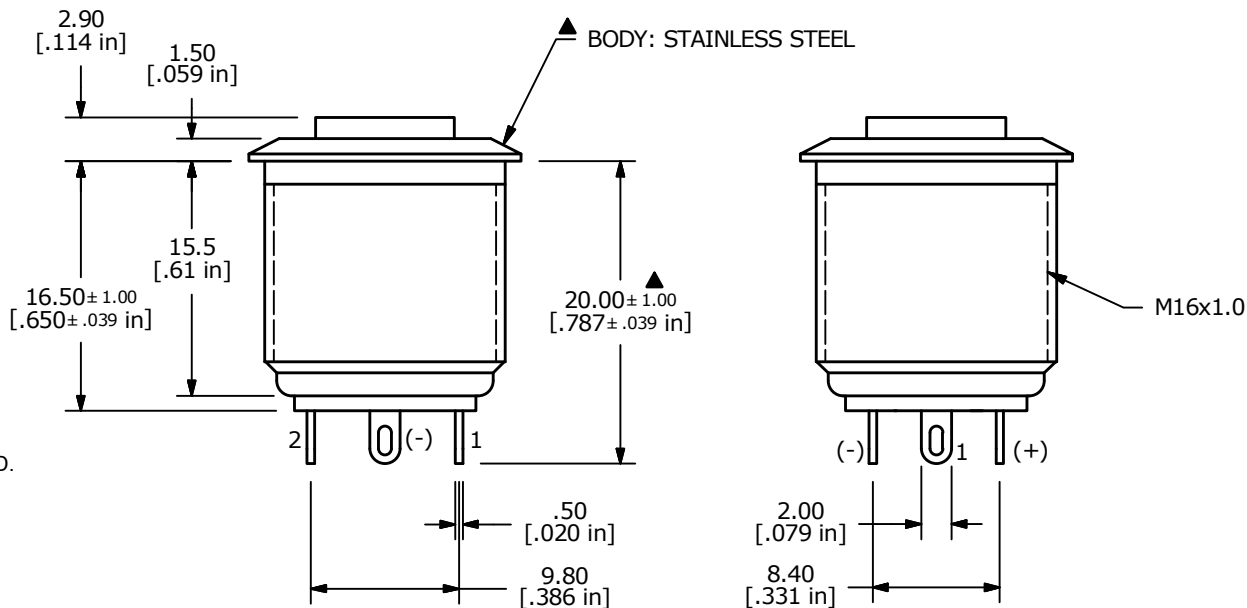


SWITCH FUNCTION	
POS. 1	POS. 2
OFF	(ON)
OPEN	1-2

(ON) = MOMENTARY



- NOTE:
- ALL DIMENSIONS IN MM [INCH]
  - GENERAL TOLERANCE: X.X = ±0.4  
X.XX = ±0.25
  - TERMINAL NUMBERS FOR REF ONLY
  - CONTACT MATERIAL: GOLD
  - RATING: 2A 48VDC
  - ELECTRIC LIFE: 50,000 MAKE-AND-BREAK CYCLES AT FULL LOAD.
  - INSULATION RESISTANCE: 1,000MΩ MIN.
  - DIELECTRIC STRENGTH: 2,000VAC MIN. FOR 1 MINUTE
  - CONTACT RESISTANCE: 50mΩ MAX. @ 1A 12VDC
  - OPERATING TEMP.: -20°C to 55°C
  - TRAVEL: 1.8mm
  - ▲ DENOTES CRITICAL PARAMETER.
  - HARDWARE SUPPLIED: O-RING AND HEXNUT (NOT SHOWN)
  - ILLUMINATION COLOR: RED (FORWARD), GREEN (REVERSE)
  - ILLUMINATION VOLTAGE RATING: 1.8 v 20 mA FORWARD, 2.8 v 20 mA REVERSE
  - 2002/95/EC (ROHS) COMPLIANT



TITLE PV6H240SSG-3G1

A	21858	New Release	5/26/15	MW
REV	PCR NO	DESCRIPTION	DATE	BY

THE INFORMATION CONTAINED IN THIS DOCUMENT IS PROPRIETARY TO E-SWITCH AND IS NOT TO BE COPIED OR TRANSFERRED

SCALE 2:1	DATE 5/26/2015	DR MW	DWG 52-PV6H240SSG3G1	REV A
--------------	-------------------	----------	-------------------------	----------